

# Nautischer Verein zu Bremerhaven

Bremerhaven, 15.09.2011



Company Introduction

Market development

Logistics

Vessel Presentation

Vessel Operation

Company Introduction

Market development

Logistics

Vessel Presentation

Vessel Operation

<b>Founded</b>	<b>1873</b>
<b>Ranking</b>	<b>Fifth-largest construction service provider worldwide</b>
<b>Business</b>	<b>Integrated portfolio: Development, construction, services, concessions and operation services</b>
<b>Market Positioning</b>	<b>Leading position in the most important markets: US, Asia, Pacific, Europe, Australia &gt; 80% of total work done generated outside Germany</b>
<b>Staff</b>	<b>70,657 employees worldwide</b>
<b>Turnover</b>	<b>EUR 20.2 Billion (2010)</b>

## ODIN



## THOR



**Founded**

2005



**Key Facts**

**7 existing jack-up platforms  
1 jack-up platform under construction („Neptune“)**

**Completed Projects**

**51 monopiles in Walney (Irish Sea) for Dong Energy (2009)  
Site investigation Kriegers Flak project (Baltic Sea)  
and Thorntonbank offshore project (Belgium North Sea)**

**Pipeline Projects**

**Borkum West - 40 pre-piled jackets for Trianel  
Baltic II - 80 offshore windfarm foundations, jackets and monopiles in JV with HOCHTIEF  
Thorntonbank - foundations and 48 REpower 6MW turbines for C-Power  
London Array - transformer station for Dong Energy**



Goliath



Vagant



Buzzard



De Zeebouwer



Neptune



Halewijn



Tijl II

Company Introduction

Market development

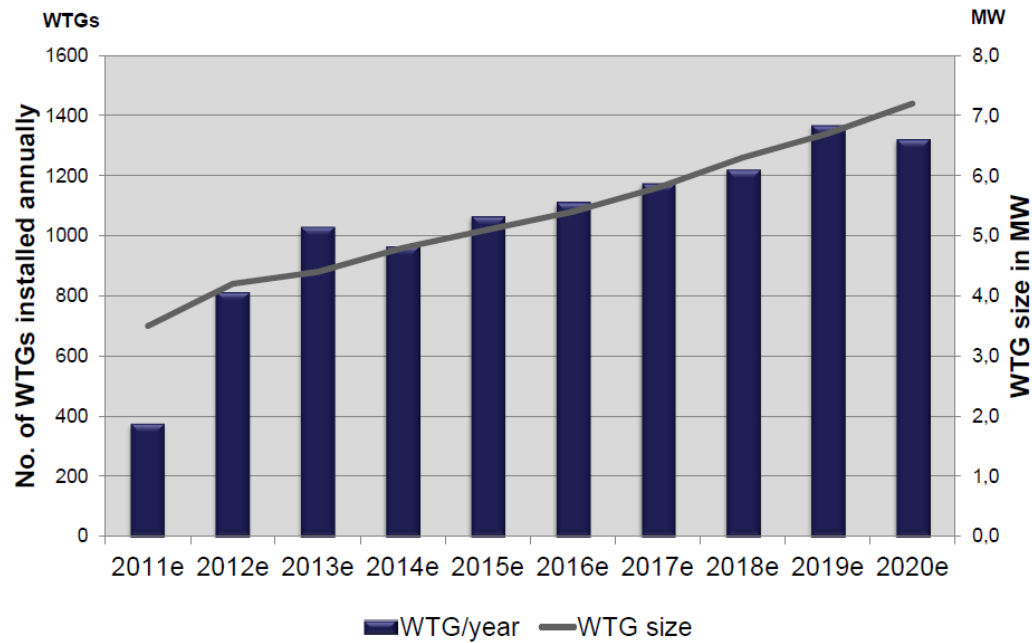
Logistics

Vessel Presentation

Vessel Operation

# Market situation

Growing Number of WTG Installations per annum



# Market situation

Increasing Distance to Shore



	Average Distance to Port [sm]	Clustering		
		< 35 sm	35 sm – 100 sm	>= 100 sm
Germany	50,21	12,16%	86,07%	1,77%
UK	57,96	23,84%	54,61%	21,55%
Rest of Europe	32,52	62,14%	37,86%	0,00%
Aggregation	53,66	23,65%	62,21%	14,14%

# Market situation

## Increasing Water Depths



	Average Water Depth [m]	Clustering			
		< 12 m	12 m - 35 m	35 m - 50m	> 50 m
Germany	34,98	0,25%	42,74%	56,67%	0,33%
UK	32,03	8,05%	44,35%	40,25%	7,35%
Rest of Europe	31,71	22,02%	63,72%	3,53%	10,73%
Aggregation	32,93	8,92%	48,64%	36,60%	5,84%

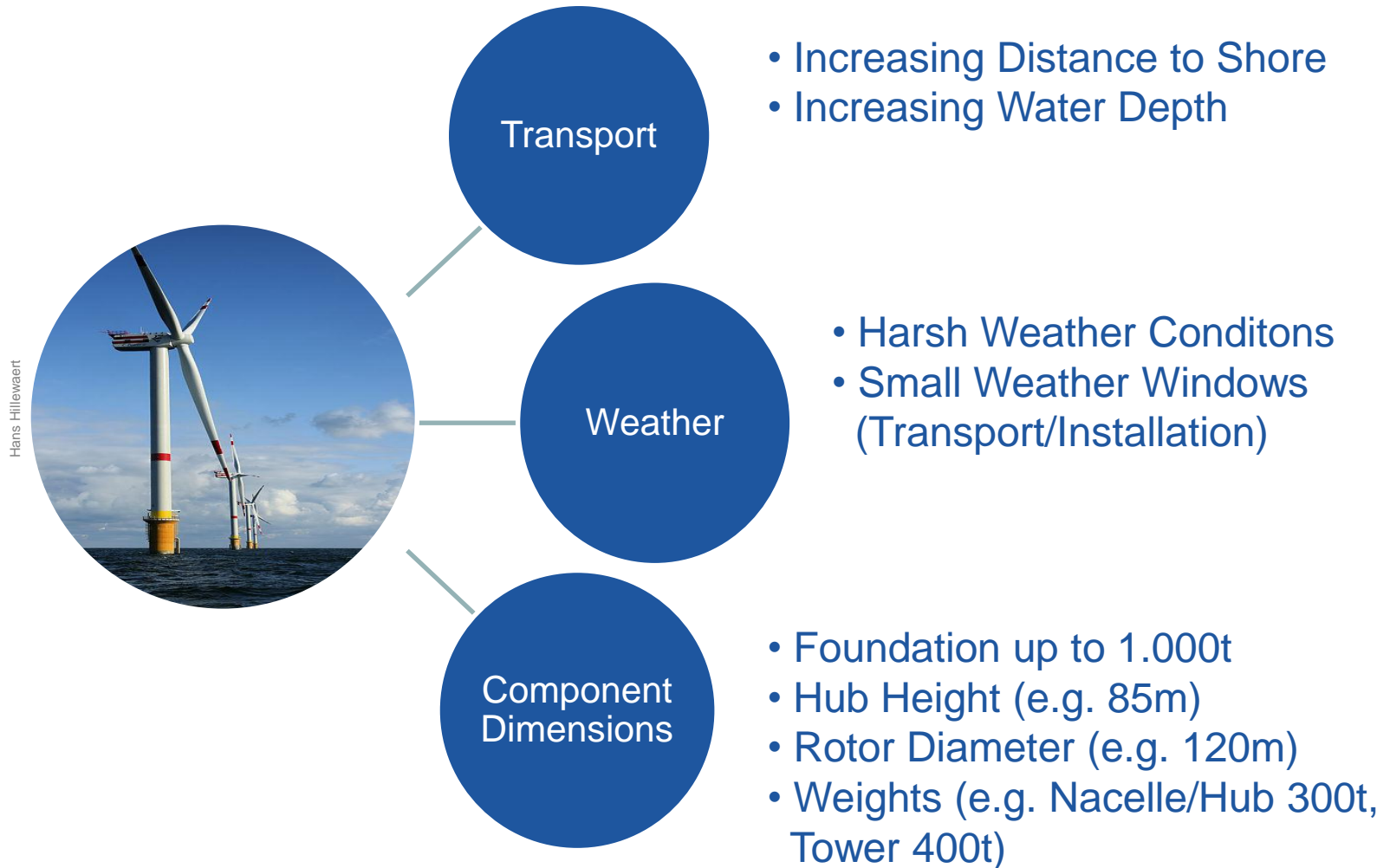
Company Introduction

Market development

Logistics

Vessel Presentation

Vessel Operation



Hans Hillewaert

Company Introduction

Market development

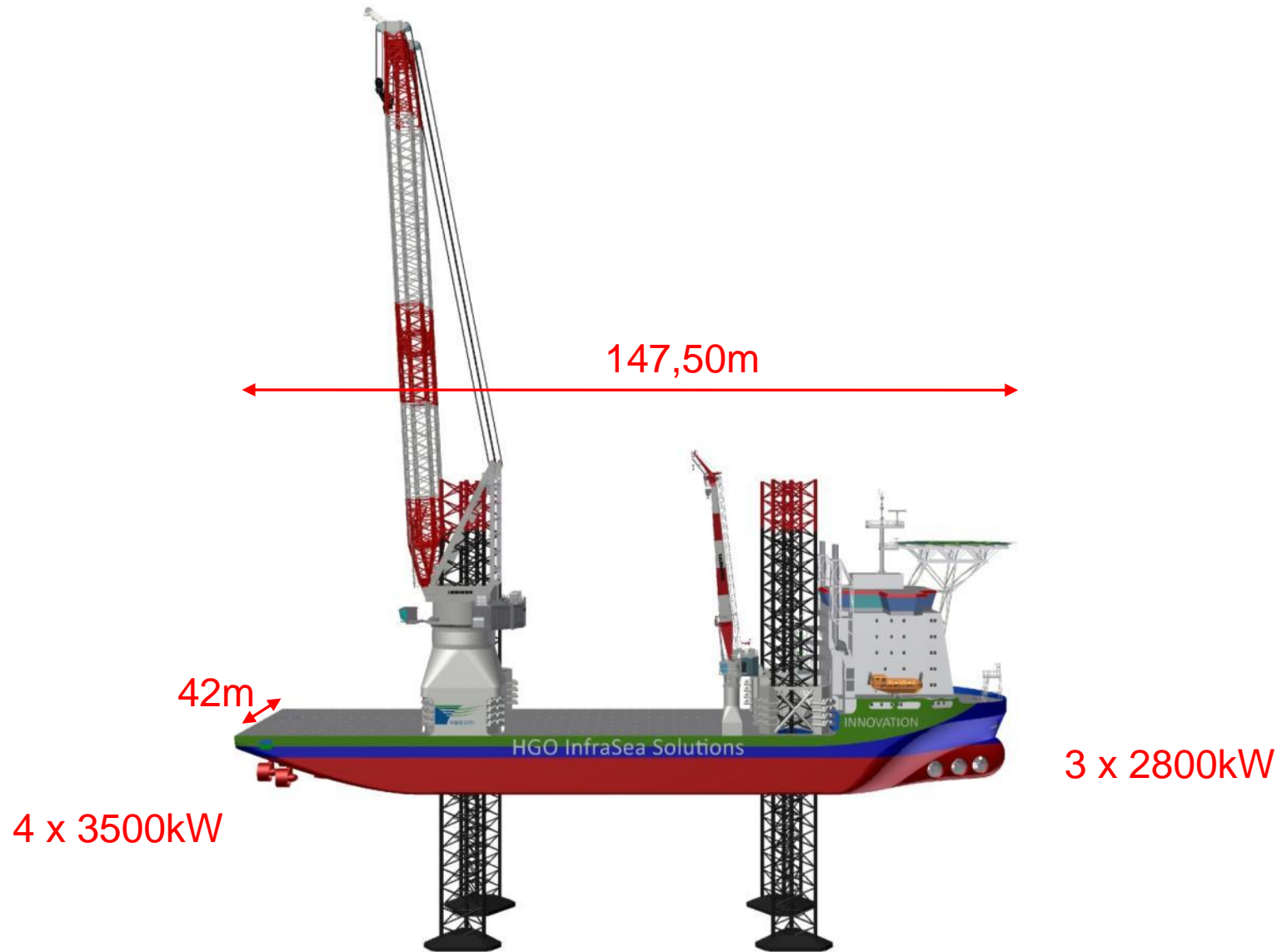
Logistics

Vessel Presentation

Vessel Operation

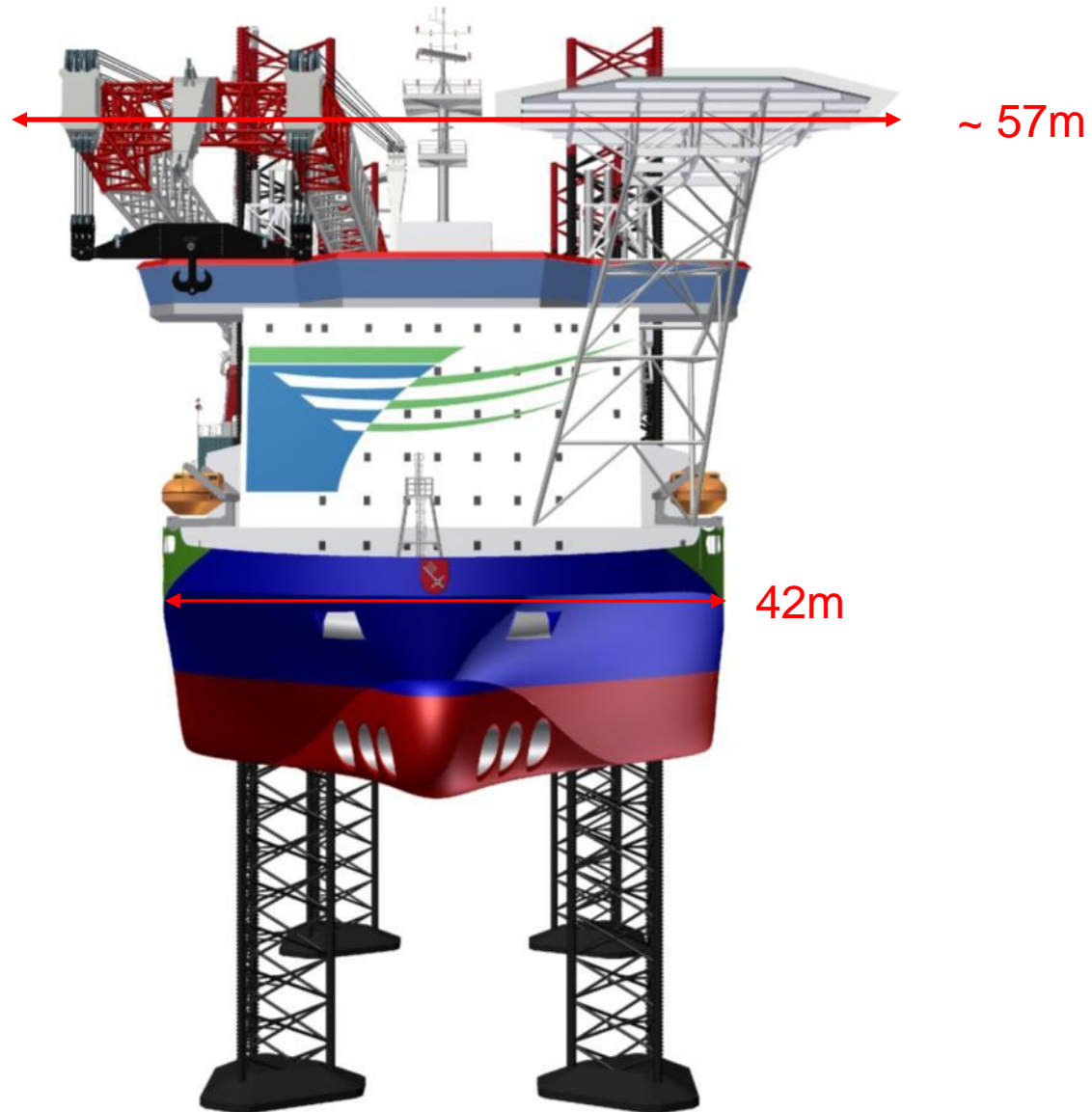
# Vessel presentation

Heavy Lift Jack-up Vessel



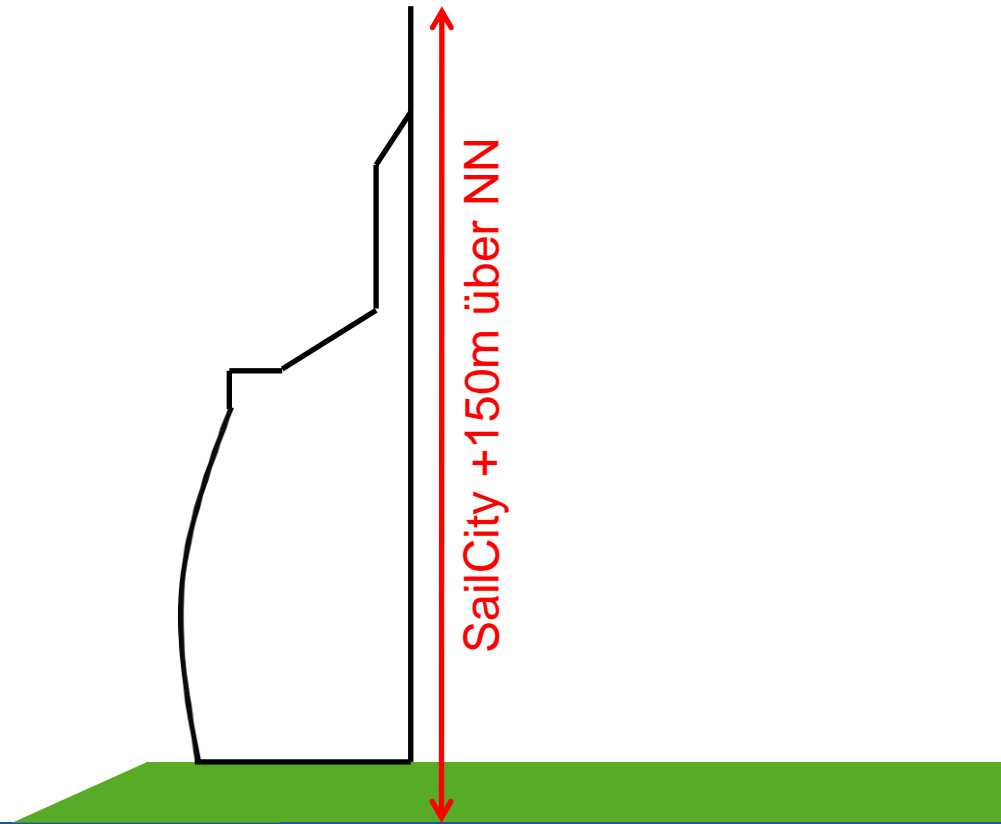
# Vessel presentation

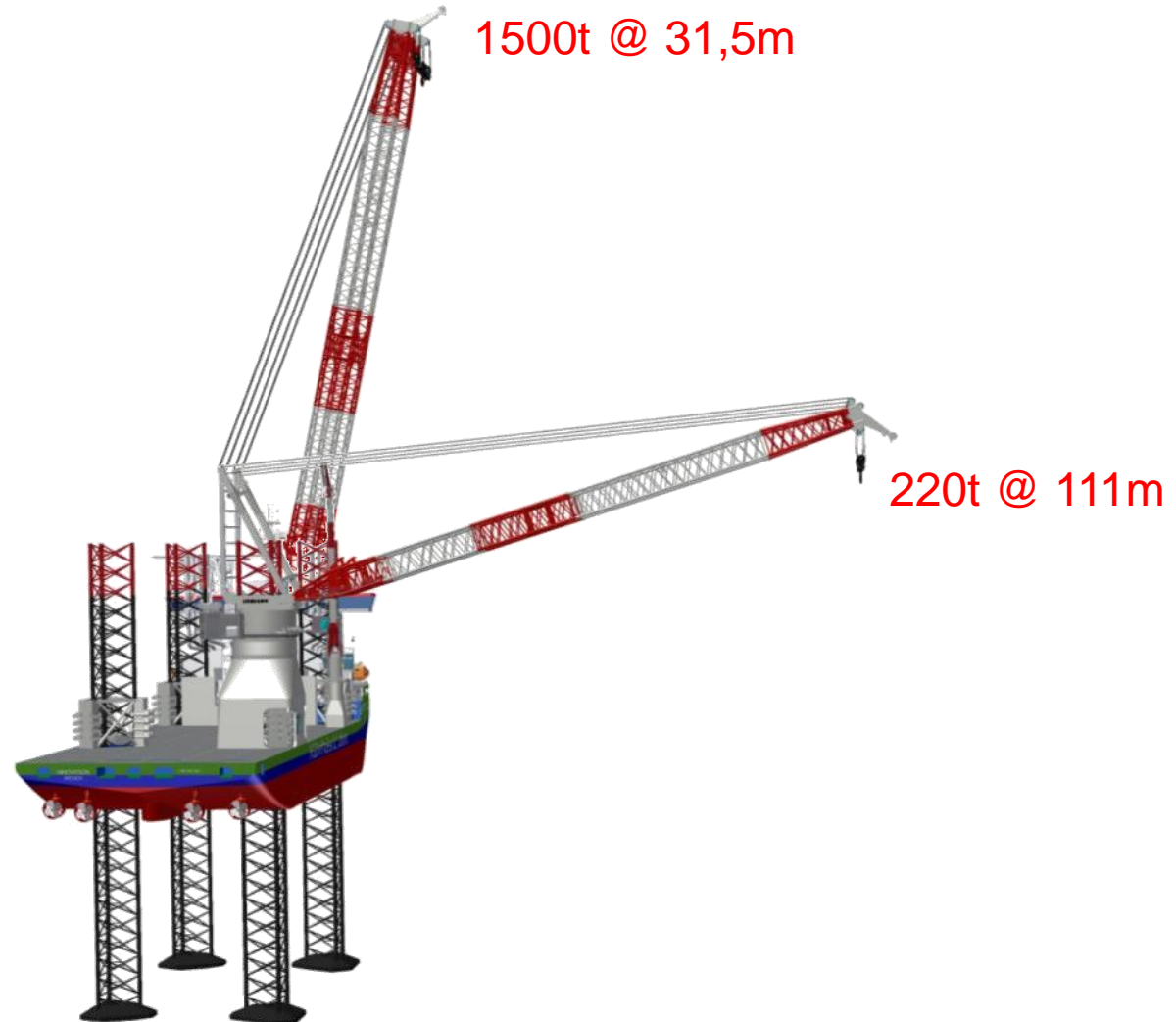
Heavy Lift Jack-up Vessel



# Vessel presentation

Heavy Lift Jack-up Vessel

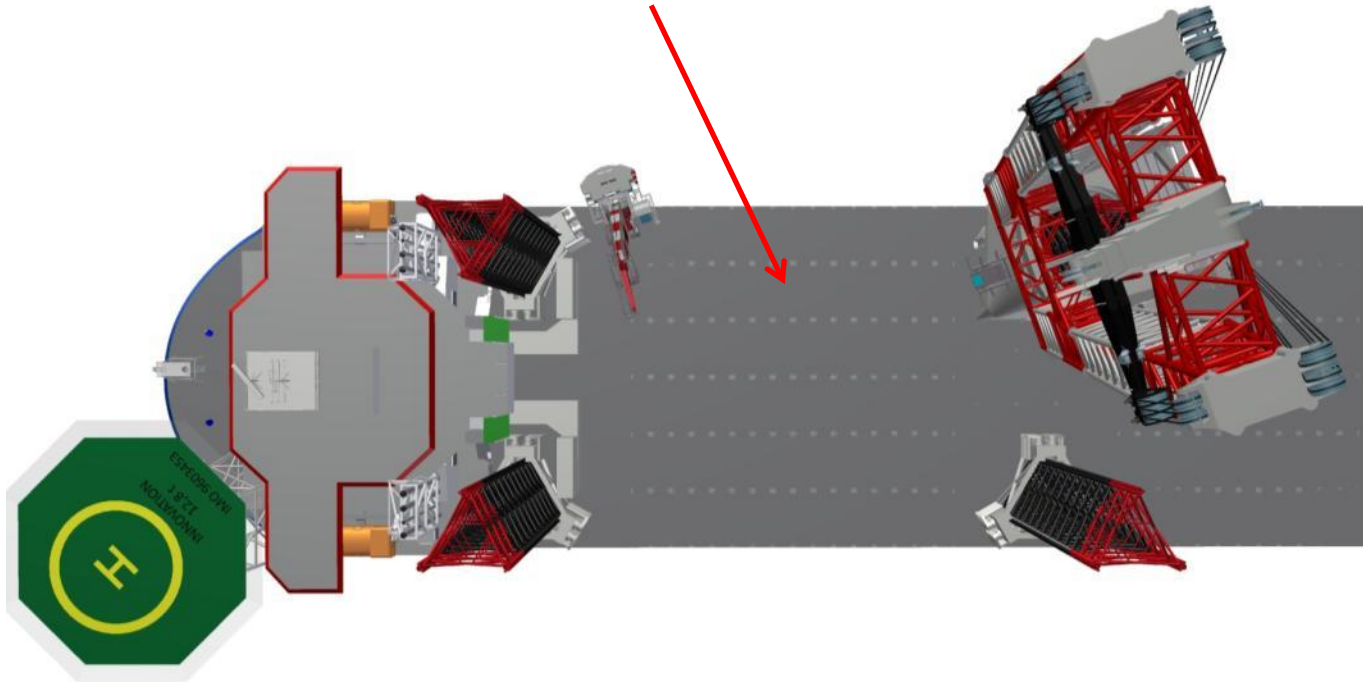




# Vessel presentation

Heavy Lift Jack-up Vessel

Large Deck Area (3400m<sup>2</sup>)



Company Introduction

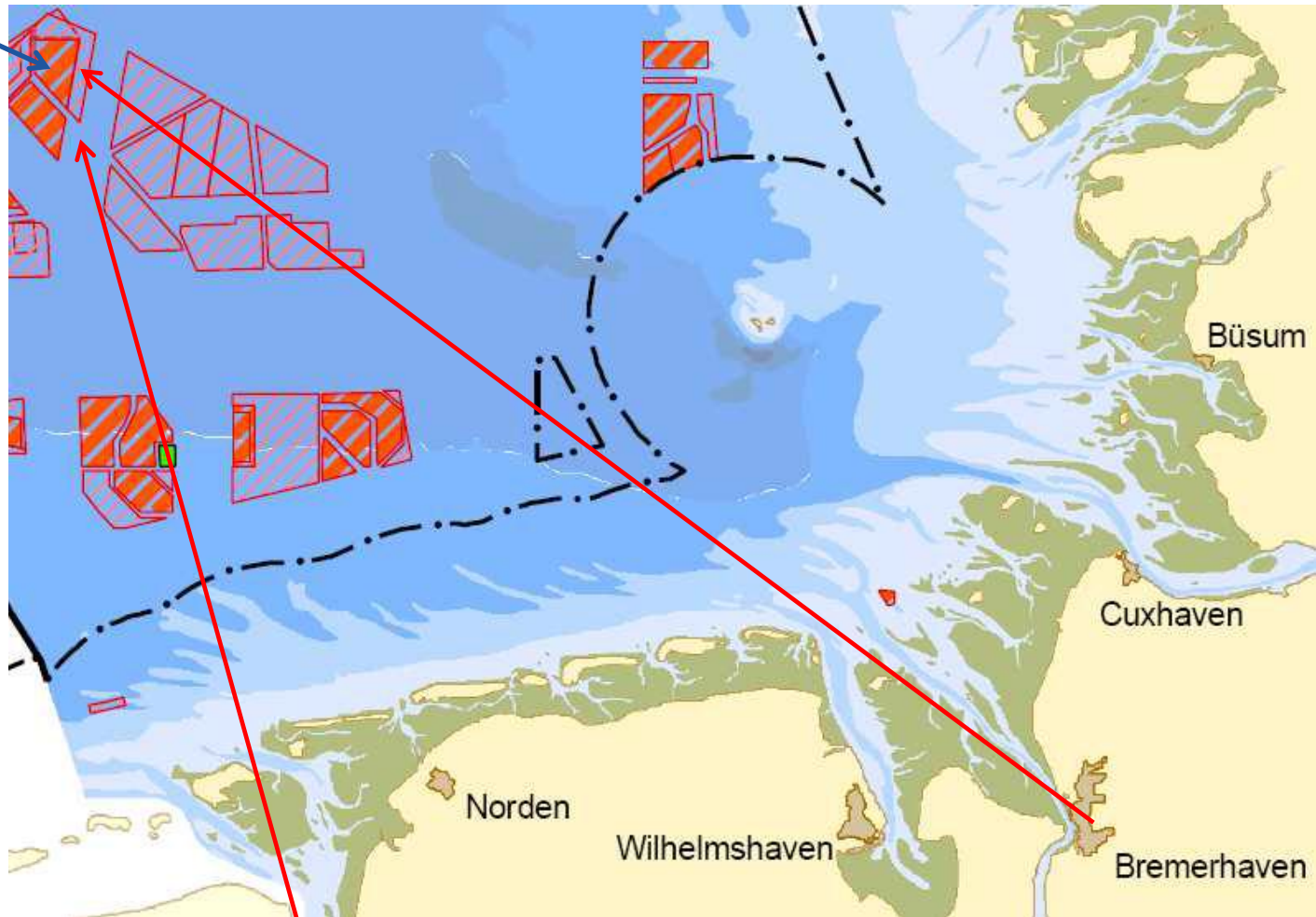
Market development

Logistics

Vessel Presentation

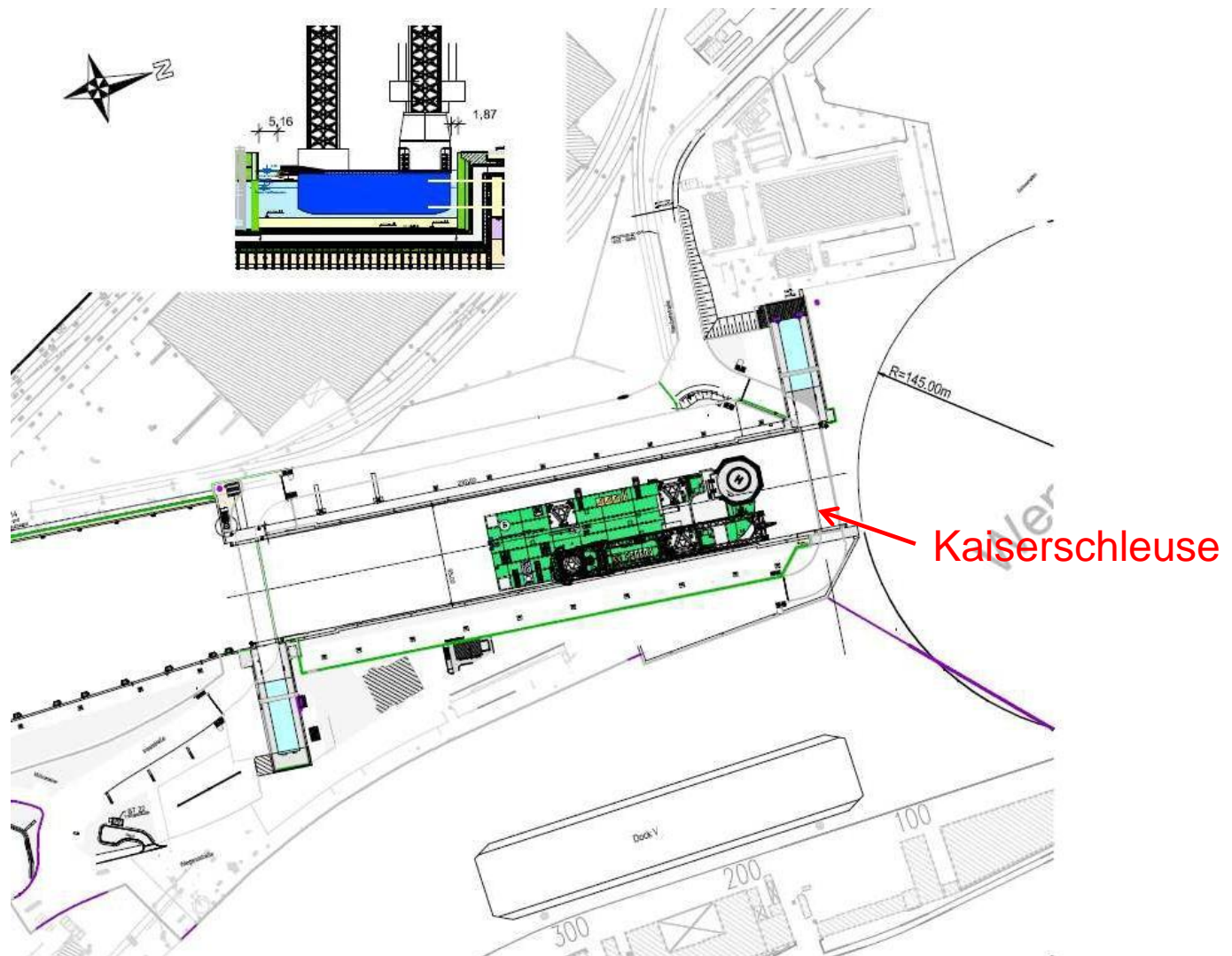
Vessel Operation

### Global Tech 1



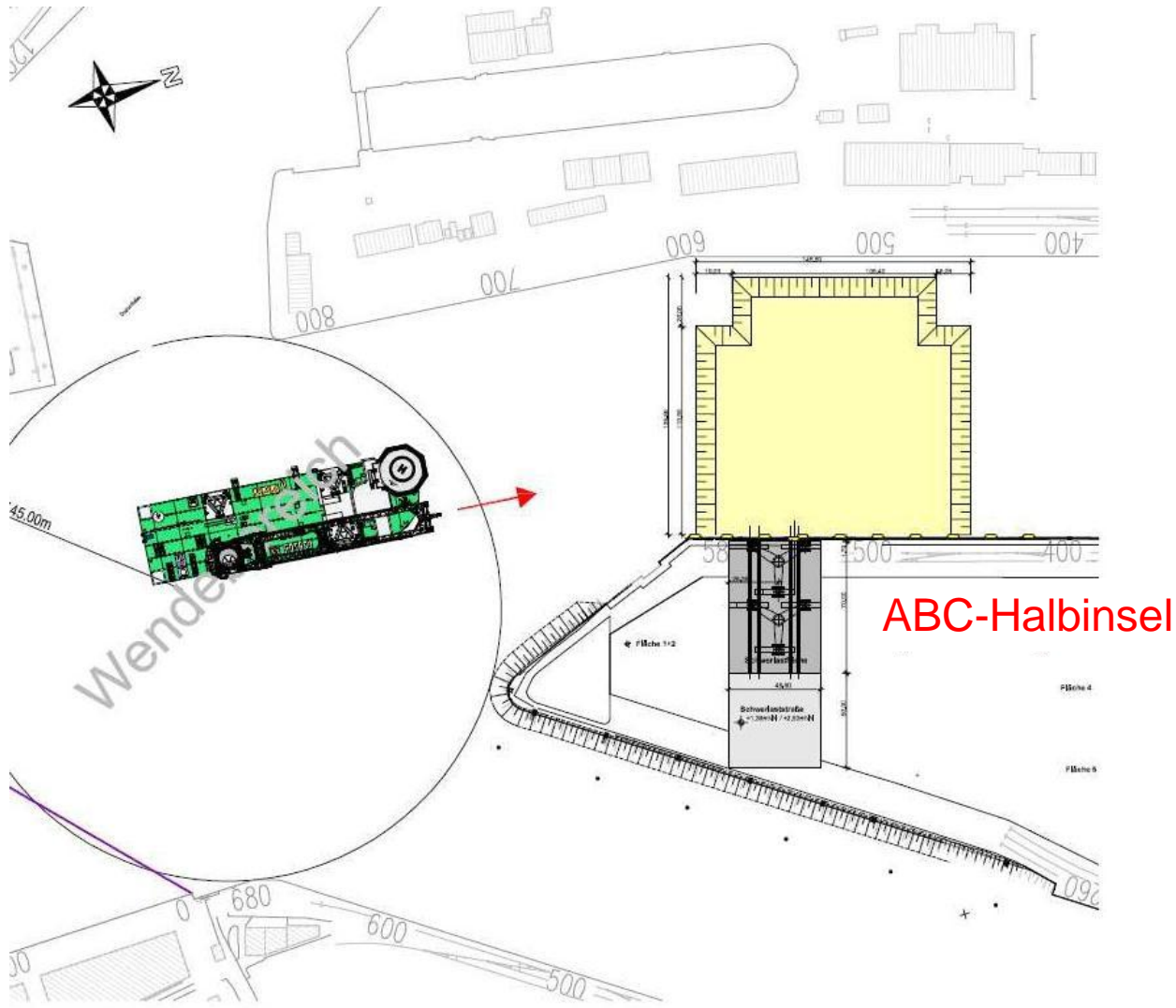
# Vessel Operation

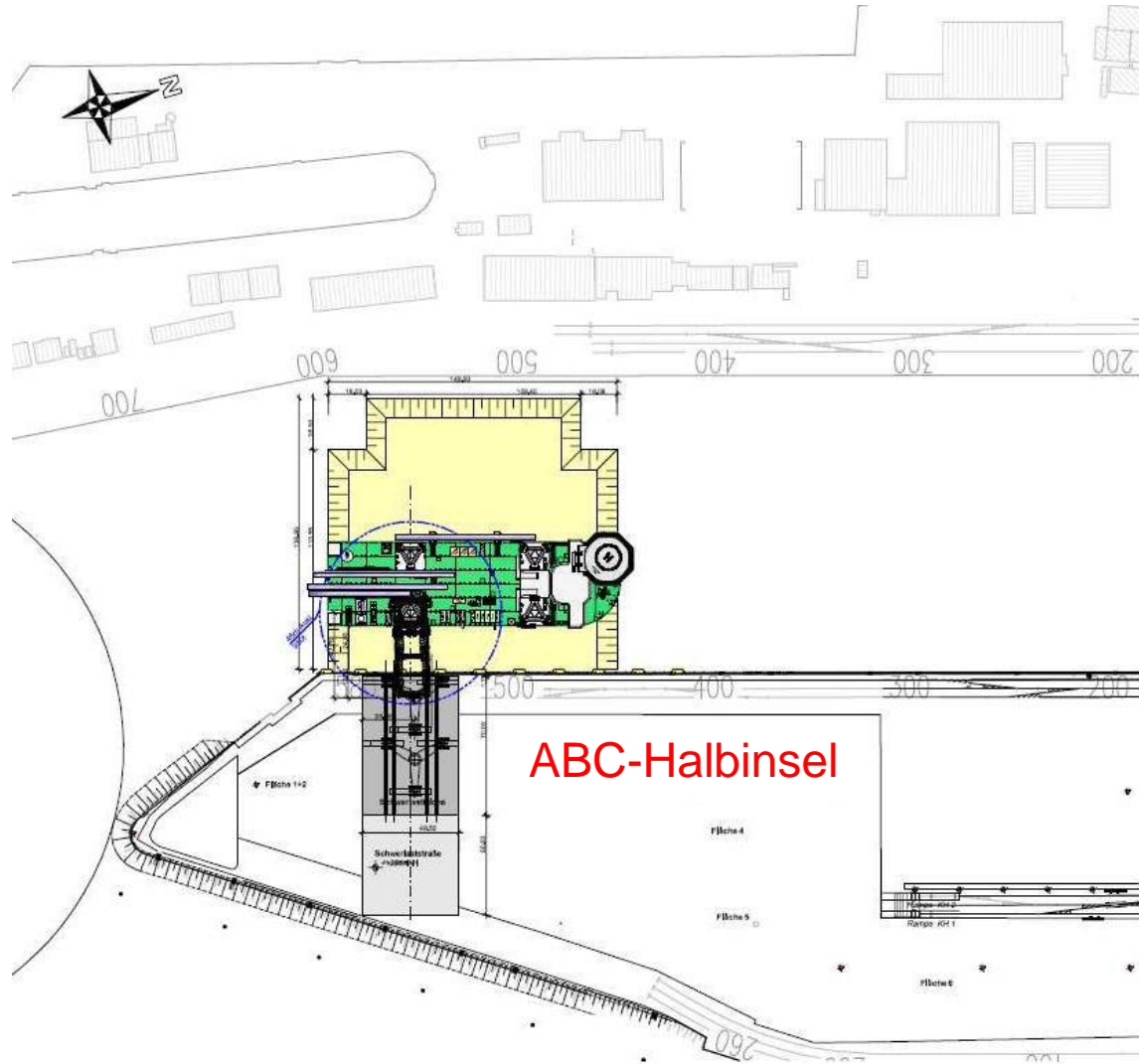
Operations (Bremerhaven)



# Vessel Operation

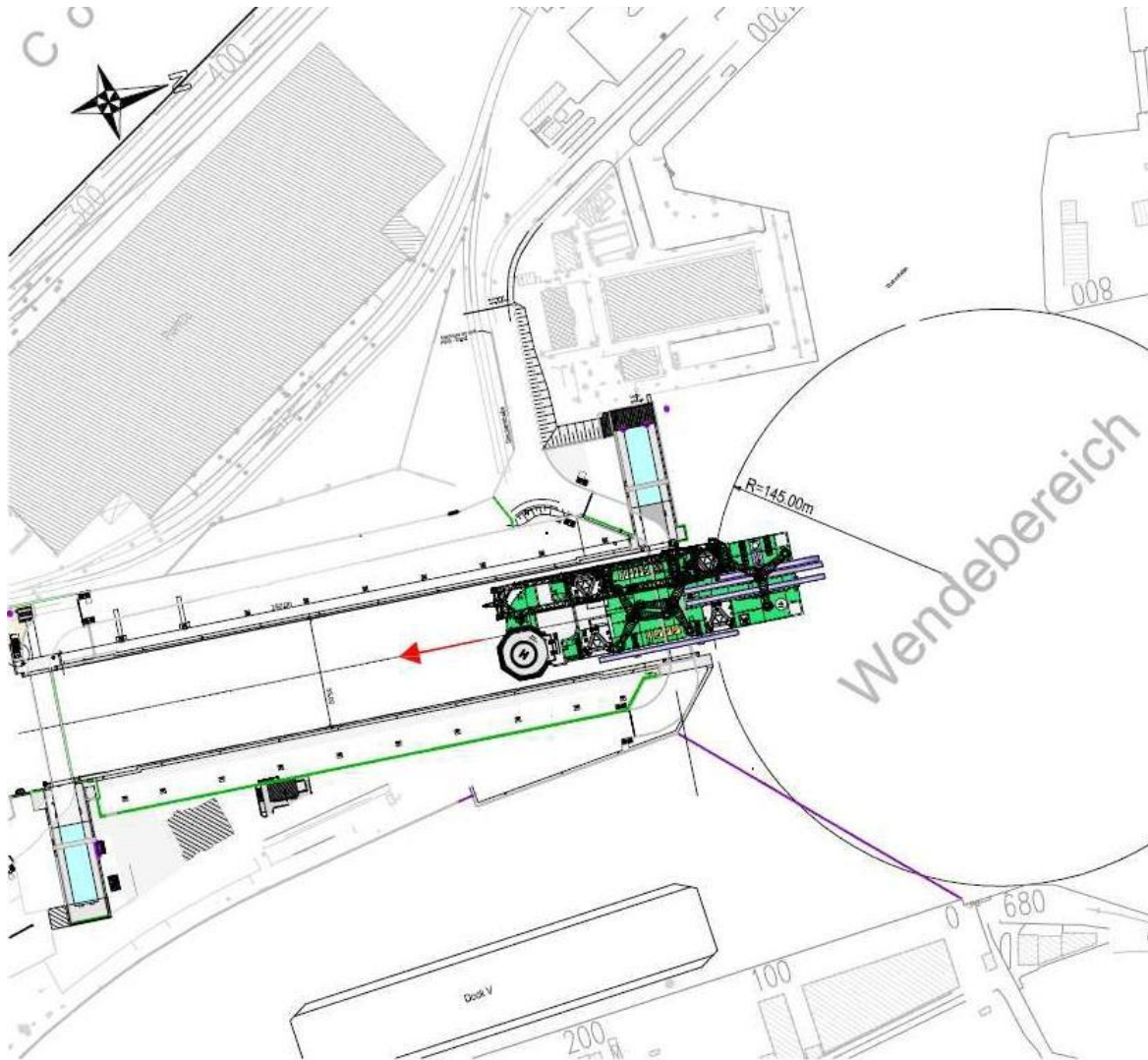
Operations (Bremerhaven)





# Vessel Operation


Operations (Bremerhaven)

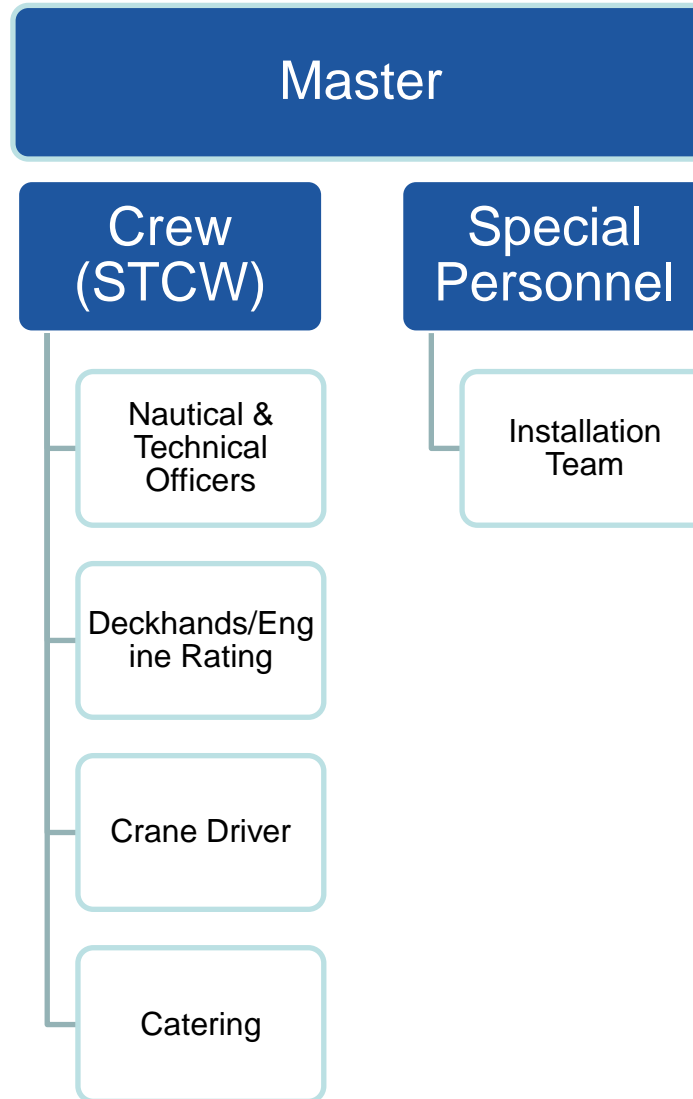


**Thank you for your attention!**





<b>Founded</b>	1852	
<b>Business</b>	Dredging & land reclamation (core business), hydraulic engineering, environmental techniques, fluvial & marine aggregates, project development & concessions	
<b>Offshore</b>	Activities run under affiliate company GeoSea	
<b>Key Facts</b>	75 major projects in 45 countries (c. 50% in EU) 80 main dredging vessels 200 auxiliary vessels	
<b>Staff</b>	4,000 employees worldwide (+600 in 2010)	
<b>Turnover</b>	EUR 1.8 Billion (2010), Order backlog EUR 2.5 Billion (01/2011)	



# Vessel Operation

Yard



# Vessel Operation

Yard

